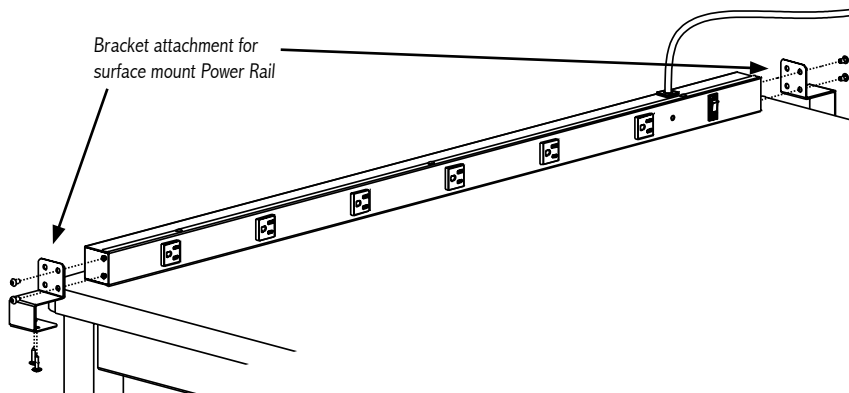
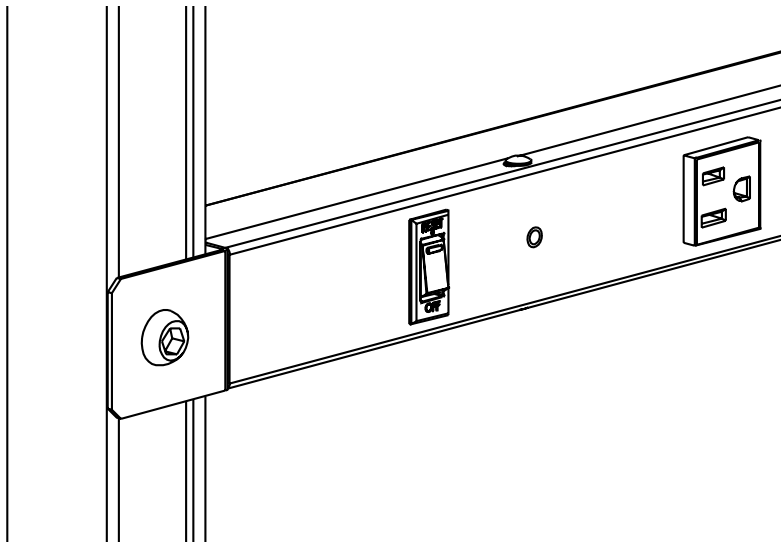
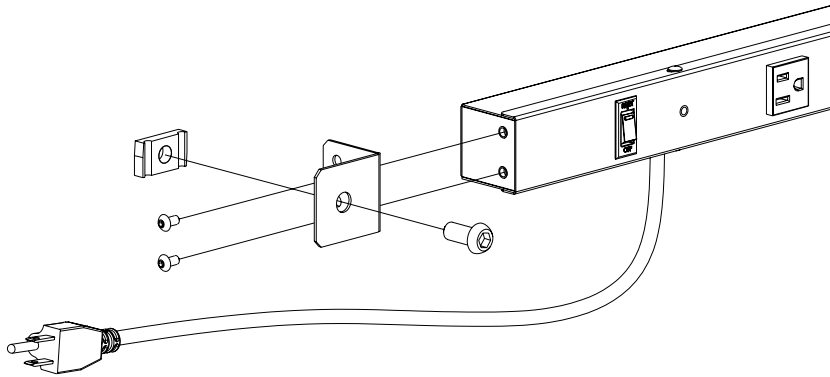


POWER RAIL

Item Numbers 8319-8322, 8324, 8326, 8327



PARTS AND HARDWARE	QUANTITY
Power Rail	1
Basic Bolt	2
Basic Nuts	2
Wood Screws	4
Bracket- frame mount	2
Bracket-table mount	2
Bracket bolts	4
Allen Wrench	1
Medium Allen Wrench for bracket bolts	1
Other Items Needed (not included)	
Phillips head screwdriver or drill	
Tape measure	
Level	

• **Note: Surface Mount method is not compatible with C-Leg Series workstations.**

1. To install Power Rail to an Upright or Frame, attach brackets to Power Rail as shown.
2. Insert a Basic Bolt into bracket. Add a Basic Nut and turn one revolution.
3. Install Power Rail at any height on your Uprights, Frame or Overhead Arms.
4. Alternate mounting to RTW, Easy-Lift or existing work table: use enclosed bracket shown below to mount Power Rail to your worksurface. Secure under the worksurface with wood screws.