



Production **BASICS**

PRODUCT SPECIFIER

Ergonomic Workstations & Accessories



Production **BASICS**

WORKSTATIONS THAT INSPIRE PRODUCTIVITY.

We'll help you find the right ergonomic workstations for your company. You'll receive innovative solutions that fit your exact specifications for performance, productivity and aesthetics. You'll also get the easiest to assemble, longest lasting, American-made workstations on the market. Then, you can get back to business.



Quad Station



PedSys Work Bench, Left-Side Storage



C-Leg Stations with Add-on Corner

Since 1995, **PRODUCTION BASICS** has manufactured **ERGONOMIC WORKSTATIONS** and accessories that **INSPIRE PRODUCTIVITY**. We offer a variety of products that are designed to bring **EFFICIENCY, PRODUCTIVITY & PROFESSIONALISM** to your manufacturing, material handling or laboratory environment.



RTW Table with Riser Shelf



**PedSys Work Bench,
Left and Right Side Storage**



Electric Station, Dual Leg



Side-by-Side C-Leg Station



Supply Cart

Workstations are not just **TABLES**, they are **TOOLS FOR PRODUCTIVITY**. An **ORGANIZED**, ergonomic **WORKSPACE** for your operators means a happier, **MORE FOCUSED** employee. It means **GREATER JOB SATISFACTION** and fewer workers' compensation claims in a **GREAT LOOKING FACILITY** that operates at **PEAK EFFICIENCY**.



C-Leg Series Workstation



PedSys Work Bench, Left Side Storage



RTW Table with Casters



PedSys Work Bench, Right Side Storage

Production Basics workstations **START WITH SMART DESIGNS**. We combine **CLEAN LINES** and **SOLID COMPONENTS** to form sturdy, simple workstations that are **BUILT TO LAST**. Using the Basic Bolt, Basic Nut and an allen wrench, you can **BUILD YOUR WORKSTATION** in minutes. You are able to **ADJUST** your workstation **PRECISELY**, a major benefit over common slotted units.

It's time to **DELIVER** some **INSPIRATION** to you. We invite you inside our Product Specifier, where you will **FIND THE WORKSTATIONS** that are **RIGHT FOR YOU**.



PedSys Work Bench, Right Side Storage

C-Leg Series	11
General Information	12
Typical Configurations	13
Application Specific Workstations	14
Product Details	16
Frames & Legs	18
Flow Rack Components	21
RTW Table Series	23
General Information	24
Typical Configurations	25
Application Specific Workstations	26
Product Details	28
Easy-Lift Series	31
General Information	32
Typical Configurations	33
Application Specific Workstations	34
Product Details	36
PedSys Work Bench Series	39
General Information	40
Typical Configurations	41
Application Specific Workstations	42
Product Details	44
Storage Packages	45
Worksurfaces	49
General Information	50
Product Details	51
Accessories	55
General Information	56
Compatibility Chart	57
Lighting	58
Power & Air	59
Organization	60
Enclosures	62
Shelving	64
Drawers & Cabinets	67
C-Leg & Easy Lift, Dual Leg	67
RTW & Easy Lift, 4-post	70
Free Standing Drawer Units	72
Computer Accessories	75
Footrests	76
Custom Options	77
Terms & Conditions, The Fine Print	84
Paint & Laminate Color Samples	inside back cover

The C-Leg Series is the foundation of Production Basics' modular, ergonomic workstations. The rigid back frame is constructed of heavy gauge steel tubing and unistrut channel.

Accessories attach to the channel using the Basic Nut and Basic Bolt. This allows for micro-adjustment of your accessories to the most comfortable position.

Create cells and unique configurations using our station kits or separate components. Our modular double-sided frames and shared legs bring you closer to an ergonomically sound facility that is ready to grow as your business grows.

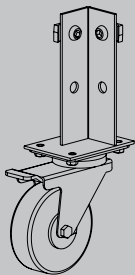


C-Leg Series

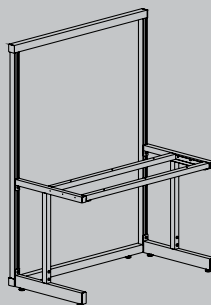
General Information - C-Leg Series

- Stock color on all C-Leg Stations is Blue with White standard laminate or Grey ESD laminate.
- Other frame colors available upon request at no additional charge are Almond, White, Grey and Black. See inside back cover.
- Other laminate colors available upon request at no additional charge are White, Beige and Grey.
- Station kits include all necessary parts, hardware and instructions needed to assemble and finish the workstation.
- Unless noted, worksurface depth (D) is always specified first in dimension notation. Station width (W) is specified second.
- Standard frame height is 64". For other frame heights, see Component Kits (page 18) or choose components independently.
- Standard height adjustability range is 30-36" in 2" increments. For 36-42" height adjustable legs, choose components independently.
- All metal workstation components are constructed of 11-16 gauge steel.
- Workstation kits noted as "ESD" include ESD laminate and ground bolt.
- Laminate worksurfaces are constructed of 1.25" thick industrial grade particle board. ESD laminate measures within the static dissipative range of 10^6 to 10^9 ohms to ground.
- Choose accessories for your C-Leg Series workstation on pages 55-76.
- Workstations accommodate up to 24" of vertical drawer space. Under-surface accessories and casters may reduce this range.
- Above-surface usable space is 26"-32" depending on worksurface height.
- C-Leg Series workstations are shipped KD (knocked down) and assembly is required unless otherwise ordered by customer.
- C-Leg Series workstation weight capacity is 750 evenly distributed pounds.
- Custom frame colors are available at an additional charge.
- Custom laminate colors are available at an additional charge.
- For options not specified in this section, review the Custom Options section of this Product Specifier (pages 77-83) or contact Production Basics.

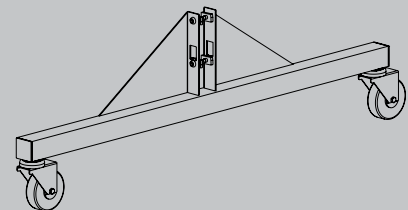
NEW



Corner Caster, pg. 17



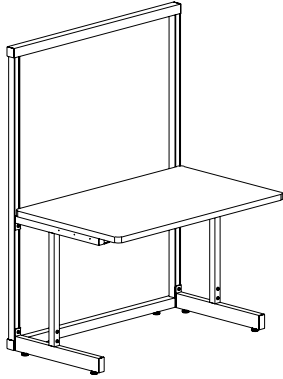
Component Kit, pg. 18



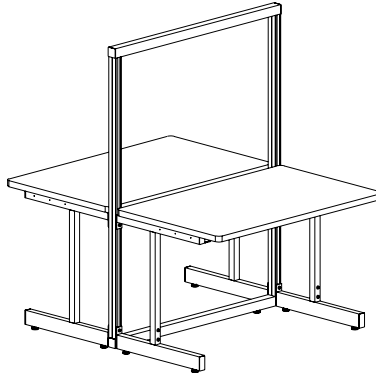
L-Leg with Casters, pg. 20

Typical Configurations - C-Leg Series

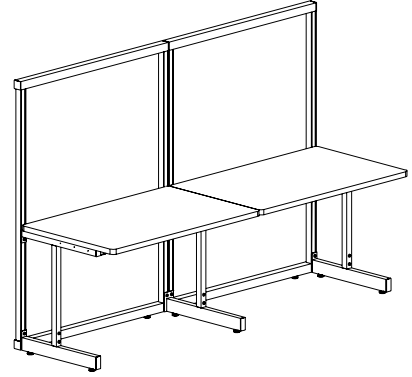
We have included a sampling of popular configurations to help you choose the ideal C-Leg Series workstation. For assistance choosing your workstations, call Production Basics at 800.318.2770.



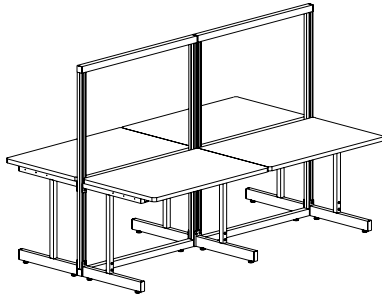
Stand-Alone



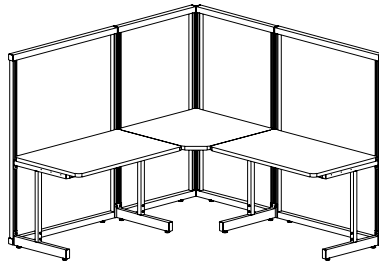
Back-to-Back



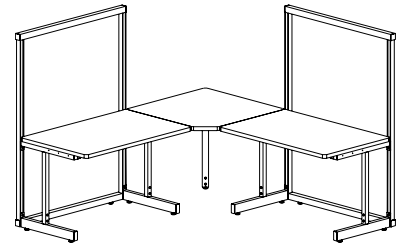
Stand-Alone + Add-on



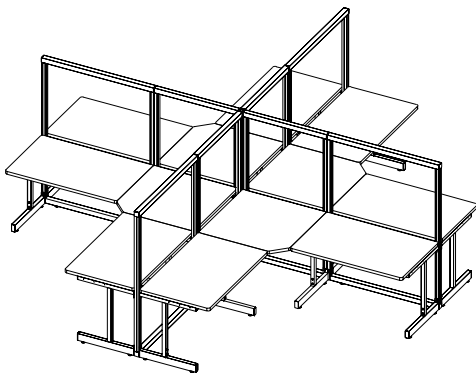
Quad



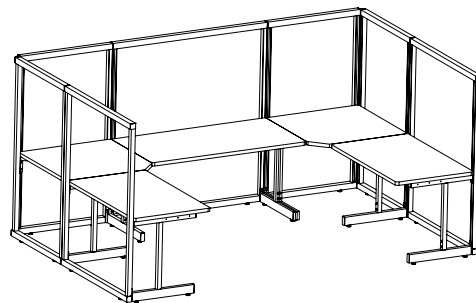
L-Shaped



Open Corner



Corner Quad

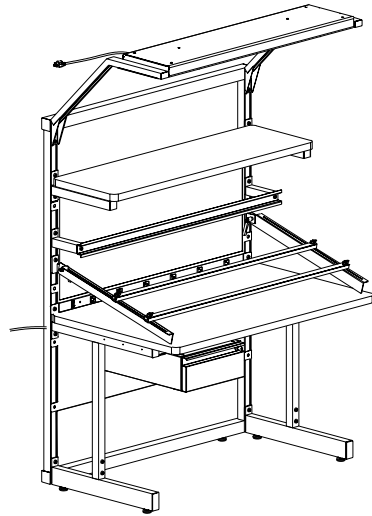


U-Shaped

C-LEG SERIES> APPLICATION SPECIFIC RECOMMENDATIONS

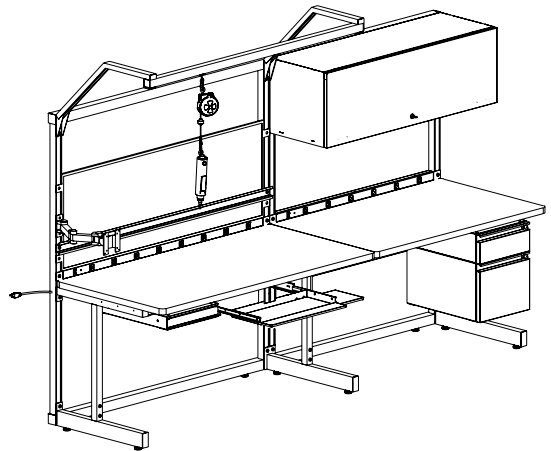
Electronics Manufacturing

<u>Product Description</u>	<u>Item Number</u>
Stand-Alone C-Leg Station, ESD, 30"D x 48"W	1100
Overhead Light	8500
Laminate Shelf, ESD, 15"D x 48"W	8430
Parts Bin Rail	8300
Bin Rail Extension	8308
Slide Line	8771
Tack Board, Blue	8730-B
Power Rail, 15 amp	8320
6" Drawer	8605
C-Leg Modesty Panel	8709



Electronics Manufacturing

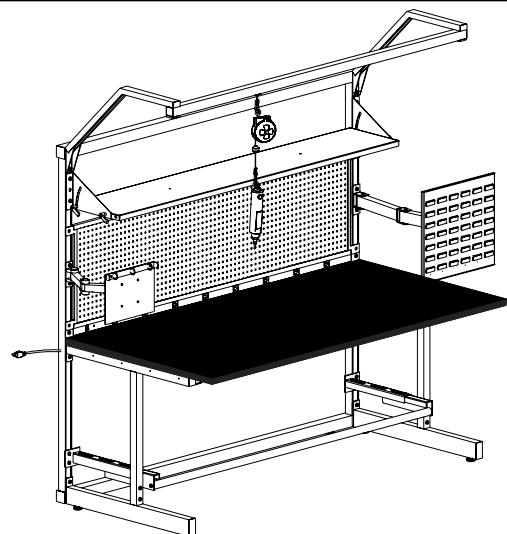
<u>Product Description</u>	<u>Item Number</u>
Stand-Alone C-Leg Station, ESD, 30"D x 60"W	1105
Overhead Arms	8538
Tool Trolley System	8343
Tool Balancer	8357
Flat Screen Monitor Arm	8632
Parts Bin Rail	8303
Power Rail, 15 amp	8323
Tack Board, Blue, 60"W x 20"H	8733-B
Writing Shelf/3" Drawer	8600
Keyboard Drawer	8681
Single-Sided Add-on Station, ESD, 30"D x 48"W	1500
Storage Cabinet	8552
Power Rail, 15 amp	8320
6" Drawer	8605
12" Drawer	8610



Tool shown not included

Assembly & Manufacturing

<u>Product Description</u>	<u>Item Number</u>
C-Leg Series, Component Kit, 30"D x 72"W x 64"H	1609
Phenolic Resin Worksurface, 30"D x 72"W	8003
Overhead Arms	8538
Tool Trolley System	8346
Tool Balancer	8357
Universal Shelf, 12"D x 72"W	8416
Parts Bin Panel, double arm	8627
Peg Board	8724
Power Rail, 20 amp	8327
Binder Holder	8352
Adjustable Tube Footrest	8667

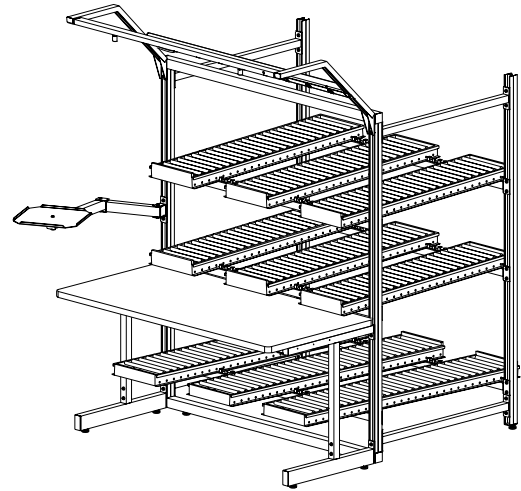


Tool shown not included

C-LEG SERIES> APPLICATION SPECIFIC RECOMMENDATIONS

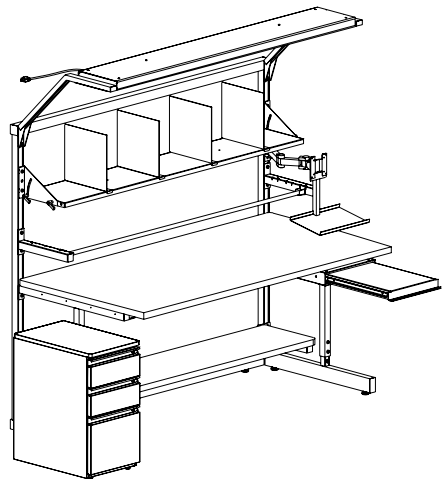
Material Handling

<u>Product Description</u>	<u>Item Number</u>
Frame, Double-Sided, 60"W x 72"H	8173
Standard Laminate Worksurface, 30"D x 60"W	8053
Worksurface Support Rail, 60"W(2)	8096
Adjustable C-Leg (2)	8280
Flow Rack Upright (2)	1838
High Profile Track, 48"D x 9"W(9)	1861
Track Spacer Bar, 36"D(4)	1832
Retaining Cross Bar (6)	1852
Overhead Arms	8538
Air Rail	8333
Power Rail, 15 amp	8323
Tray Arm, double arm	8631



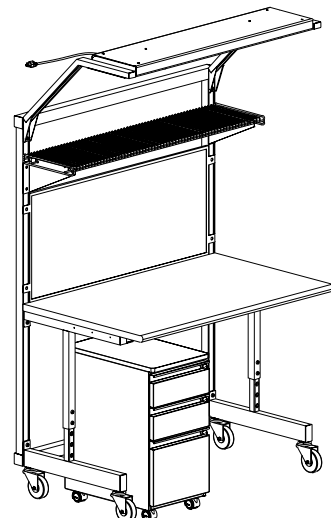
Material Handling

<u>Product Description</u>	<u>Item Number</u>
C-Leg Series, Component Kit, 36"D x 72"W x 64"H	1618
Stainless Steel, Wrap Edge Worksurface, 36"D x 72"W	7943
Overhead Light, T8	8510
Universal Shelf	8396
Universal Shelf Dividers, set of four (4)	8984
Flat Screen Monitor Arm	8632
Flat Screen Monitor Arm Add-on Keyboard	8633
Paper Roll Holder	8743
Writing Shelf/3" Drawer	8600
Laminate Under-surface Shelf	8446
Free Standing Drawer Units, 2-6" + 1-12" drawer	8570

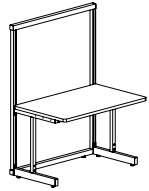
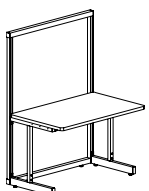
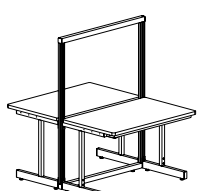
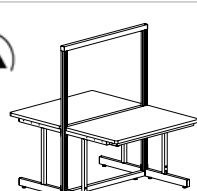
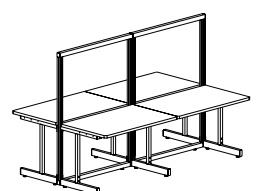
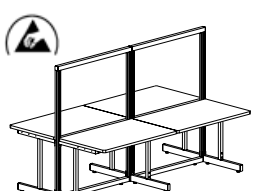
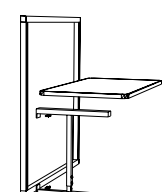


Laboratory

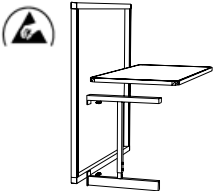
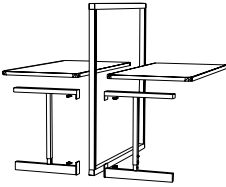
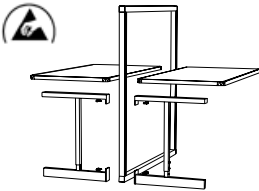
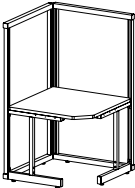
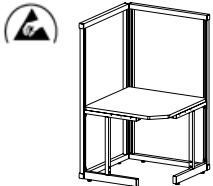
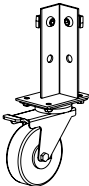
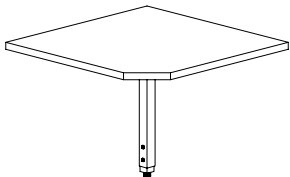
<u>Product Description</u>	<u>Item Number</u>
C-Leg Series, Component Kit, 30"D x 48"W x 72"H	1627
C-Leg Series Caster Option	8970
Bullnose Laminate Worksurface, 30"D x 48"W	7966
Overhead Light	8500
Wire Shelf	8400
Magnetic Dry Erase Board	8717
Free Standing Drawer Units, 2-6" + 1-12" drawer	8570
Free Standing Drawer Caster Option	8969



Product Details

Product Details	Description	Dimensions	Item Number	Notes
	Stand-Alone C-Leg Station Create your ideal workstation starting with this kit. This package includes a laminate worksurface along with all the necessary components and hardware to construct a single station. Appropriate for all applications. Frame height is 64".	30"D x 36"W	1003	
		30"D x 48"W	1000	
		30"D x 60"W	1005	
		30"D x 72"W	1010	
		36"D x 36"W	1004	
		36"D x 48"W	1001	
	Stand-Alone C-Leg Station, ESD Create your ideal workstation starting with this kit. This package includes an ESD laminate worksurface along with all the necessary components and hardware to construct a single station. Appropriate for all applications. Frame height is 64".	30"D x 36"W	1103	• includes standard ground bolt & wire
		30"D x 48"W	1100	
		30"D x 60"W	1105	
		30"D x 72"W	1110	
		36"D x 36"W	1104	
		36"D x 48"W	1101	
	Back-to-Back C-Leg Station This package includes a double-sided frame for free-standing workbench configurations with opposite worksurfaces. Ships complete with laminate worksurfaces, components and hardware. Frame height is 64".	30"D x 36"W	1043	
		30"D x 48"W	1040	
		30"D x 60"W	1045	
		30"D x 72"W	1050	
		36"D x 48"W	1041	
	Back-to-Back C-Leg Station, ESD This package includes a double-sided frame for free-standing workbench configurations with opposite worksurfaces. Ships complete with ESD laminate worksurfaces, components and hardware. Frame height is 64".	30"D x 36"W	1143	• includes standard ground bolt & wire
		30"D x 48"W	1140	
		30"D x 60"W	1145	
		30"D x 72"W	1150	
		36"D x 48"W	1141	
	Quad Station This package includes worksurfaces, necessary components and hardware to construct a four-station configuration. Ideal for cell manufacturing. Frame height is 64".	30"D x 36"W	1243	
		30"D x 48"W	1240	
		30"D x 60"W	1245	
		30"D x 72"W	1250	
		36"D x 48"W	1241	
	Quad Station, ESD This package includes ESD laminate worksurfaces, necessary components and hardware to construct a four-station configuration. Ideal for cell manufacturing. Frame height is 64".	30"D x 36"W	1343	• includes standard ground bolt & wire
		30"D x 48"W	1340	
		30"D x 60"W	1345	
		30"D x 72"W	1350	
		36"D x 48"W	1341	
	Single-Sided Add-on Station Add an additional workstation to a Stand-Alone Station to begin your linear configuration. Includes a laminate worksurface, necessary parts and hardware for construction of the workstation. Frame height is 64".	30"D x 36"W	1403	• requires Stand-Alone C-Leg Station
		30"D x 48"W	1400	
		30"D x 60"W	1405	
		30"D x 72"W	1410	
		36"D x 48"W	1401	
		36"D x 60"W	1406	
		36"D x 72"W	1411	

Product Details

Product Details	Description	Dimensions	Item Number	Notes
	Single-Sided Add-on Station, ESD Add an additional workstation to a Stand-Alone ESD Station to begin your linear configuration. Includes an ESD laminate worksurface, necessary parts and hardware for construction of the workstation. Frame height is 64".	30"D x 36"W	1503	<ul style="list-style-type: none"> requires Stand-Alone ESD C-Leg Station includes standard ground bolt & wire
		30"D x 48"W	1500	
		30"D x 60"W	1505	
		30"D x 72"W	1510	
		36"D x 48"W	1501	
36"D x 60"W	1506			
36"D x 72"W	1511			
	Back-to-Back Add-on Station Add a double-sided workstation to a Back-to-Back C-Leg Station. This package includes a double-sided frame for configurations with opposite worksurfaces. Ships complete with laminate worksurfaces, components and hardware. Frame height is 64".	30"D x 36"W	1443	<ul style="list-style-type: none"> requires Back-to-Back C-Leg Station
		30"D x 48"W	1440	
		30"D x 60"W	1445	
		30"D x 72"W	1450	
		36"D x 48"W	1441	
36"D x 60"W	1446			
36"D x 72"W	1451			
	Back-to-Back Add-on Station, ESD Add another workstation to a Back-to-Back Station. Package includes a double-sided frame for configurations with opposite worksurfaces. Ships complete with ESD laminate worksurfaces, components and hardware. Frame height is 64".	30"D x 36"W	1543	<ul style="list-style-type: none"> requires Back-to-Back ESD C-Leg Station includes standard ground bolt & wire
		30"D x 48"W	1540	
		30"D x 60"W	1545	
		30"D x 72"W	1550	
		36"D x 48"W	1541	
36"D x 60"W	1546			
36"D x 72"W	1551			
	Stand Alone Corner Station Use this free-standing workstation to create corner or wrap-around configurations. Compatible with standard above-worksurface accessories. Frame height is 64".	30"D x 36"W	1415	<ul style="list-style-type: none"> compatible with 30" deep stations (any width) use 36" wide accessories
		36"D x 48"W	1416	<ul style="list-style-type: none"> compatible with 36" deep stations (any width) use 48" wide accessories
	Stand Alone Corner Station, ESD Use this free-standing workstation to create corner or wrap-around configurations with ESD laminate worksurfaces. Compatible with standard above-worksurface accessories. Frame height is 64".	30"D x 36"W	1515	<ul style="list-style-type: none"> compatible with 30" deep stations (any width) use 36" wide accessories includes standard ground bolt & wire
		36"D x 48"W	1516	<ul style="list-style-type: none"> compatible with 36" deep stations (any width) use 48" wide accessories includes standard ground bolt & wire
	Stand-Alone Corner Caster Option Add casters to your Stand Alone Corner Station. Includes five (5) 4" locking swivel casters and maintains 30"-36" height adjustment.		8973	<ul style="list-style-type: none"> specify at time of order with Item Numbers 1415-1416 & 1515-1516
	Add-on Corner Station A simple solution to create corner or wrap-around configurations with Stand-Alone or Back-to-Back Stations. Includes a support leg and worksurface.	30"D x 36"W	1418	<ul style="list-style-type: none"> requires two (2) 30" deep stations (any width)
		36"D x 48"W	1419	<ul style="list-style-type: none"> requires two (2) 36" deep stations (any width)

NEW

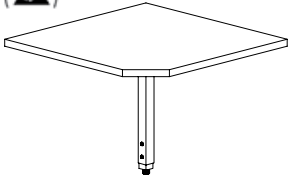
Product Details

Description

Dimensions

Item Number

Notes



Add-on Corner Station, ESD

A simple solution to create corner or wrap-around configurations with Stand-Alone or Back-to-Back ESD Stations. Includes a support leg and ESD laminate worksurface.

30"D x 36"W

1518

- requires two (2) 30" deep stations (any width)
- includes standard ground bolt & wire

36"D x 48"W

1519

- requires two (2) 36" deep stations (any width)
- includes standard ground bolt & wire

24"D x 36"W x 64"H

1600

24"D x 48"W x 64"H

1601

24"D x 60"W x 64"H

1602

24"D x 72"W x 64"H

1603

30"D x 36"W x 64"H

1606

30"D x 48"W x 64"H

1607

30"D x 60"W x 64"H

1608

30"D x 72"W x 64"H

1609

36"D x 36"W x 64"H

1615

36"D x 48"W x 64"H

1616

36"D x 60"W x 64"H

1617

36"D x 72"W x 64"H

1618

- worksurface not included

C-Leg Series, Component Kit

The Component Kit includes parts and hardware to construct a C-Leg Series workstation without the worksurface. Use an existing worksurface or choose from a variety of materials and sizes offered by Production Basics. Depth dimension refers to recommended worksurface depth.

24"D x 36"W x 72"H

1620

24"D x 48"W x 72"H

1621

24"D x 60"W x 72"H

1622

24"D x 72"W x 72"H

1623

30"D x 36"W x 72"H

1626

30"D x 48"W x 72"H

1627

30"D x 60"W x 72"H

1628

30"D x 72"W x 72"H

1629

36"D x 36"W x 72"H

1635

36"D x 48"W x 72"H

1636

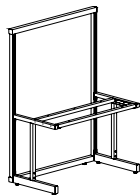
36"D x 60"W x 72"H

1637

36"D x 72"W x 72"H

1638

NEW

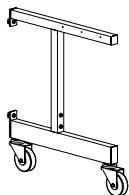


C-Leg Series Caster Option

Order with your new C-Leg Series workstation to provide mobility. Leg maintains 30"-36" height adjustment. Includes four (4) 4" diameter casters with locks.

8970

- must specify at time of order with Item Numbers 1000-1551, 1606-1618, 1626-1638



Frame, Single Sided

Create your own workstation by starting with the structural core of the Production Basics system. Durable and rigid frames interconnect to form an infinite combination of floor plans.

36"W x 64"H

8107

48"W x 64"H

8109

60"W x 64"H

8121

72"W x 64"H

8133

36"W x 72"H

8111

48"W x 72"H

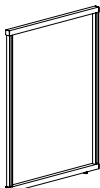
8112

60"W x 72"H

8123

72"W x 72"H

8135



Product Details

Description

Dimensions

Item Number

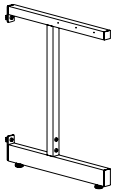
Notes



Frame, Double-Sided

Create your own workstation by starting with the structural core of the Production Basics system. Durable and rigid frames interconnect to form an infinite combination of Back-to-Back workstation floor plans.

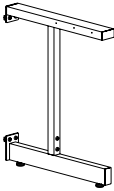
36"W x 64"H	8158
48"W x 64"H	8159
60"W x 64"H	8171
72"W x 64"H	8183
36"W x 72"H	8162
48"W x 72"H	8163
60"W x 72"H	8173
72"W x 72"H	8185



Adjustable C-Leg

Use the C-Leg for Stand- Alone workstations to support the end stations in a multi-station configuration. Two (2) required.

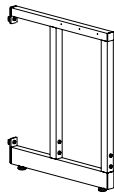
for 24"D worksurfaces	8282	• 30-36" height adjustment
for 30"D worksurfaces	8280	
for 36"D worksurfaces	8286	
for 24"D worksurfaces	8277	• 36-42" height adjustment
for 30"D worksurfaces	8278	
for 36"D worksurfaces	8279	



Adjustable 2C-Leg

Use the 2C-Leg with casters to join side-by-side workstations.

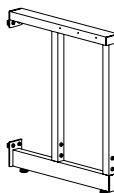
for 24"D worksurfaces	8287	• 30-36" height adjustment
for 30"D worksurfaces	8285	
for 36"D worksurfaces	8289	



Adjustable B-Leg

B-Legs feature an additional vertical member that will support up to 1000 lbs. Use for Stand-Alone workstations or to support the end stations in a multi-station configuration. Two (2) required.

for 24"D worksurfaces	8230	• 30-36" height adjustment
for 30"D worksurfaces	8232	
for 36"D worksurfaces	8234	



Adjustable 2B-Leg

Use the 2B-Leg to join side-by-side B-Leg stations.

for 24"D worksurfaces	8235	• 30-36" height adjustment
for 30"D worksurfaces	8237	
for 36"D worksurfaces	8239	

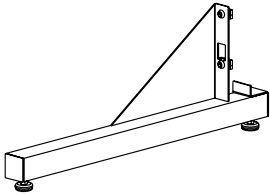
Product Details

Description

Dimensions

Item Number

Notes

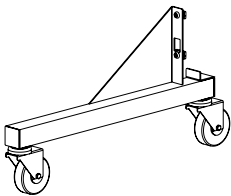


L-Leg, Single Sided

Paired with a Frame, L-Legs make it possible for you to set up shelving, overhead tools and other accessories behind an existing workstation or conveyor. Adds 3" to overall frame height.

30"D x 2"W x 3"H

8290 • 1 pair

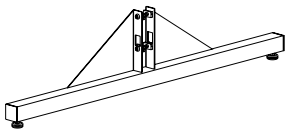


L-Leg, Single Sided Caster Option

Paired with a Frame, this caster option makes it possible for you to set up mobile shelving, overhead tools and other accessories behind an existing workstation or conveyor. Adds 7" to overall frame height.

30"D x 2"W x 7"H

8291] • 1 pair
• includes four (4) 4" casters

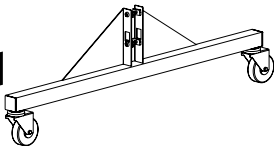


L-Leg, Double-Sided

Paired with a Double-Sided Frame, this option allows you to set up shelving, overhead tools and other accessories on opposite sides. Position where needed. Adds 3" to overall frame height.

48"D x 2"W x 3"H

8292 • 1 pair

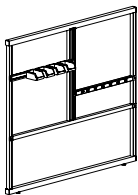


L-Leg, Double-Sided Caster Option

Paired with a Double-Sided Frame this option allows you to set up mobile shelving, overhead tools and other accessories on opposite sides. Position behind an existing workstation or conveyor. Adds 7" to overall frame height.

48"D x 2"W x 7"H

8293] • 1 pair
• includes four (4) 4" casters

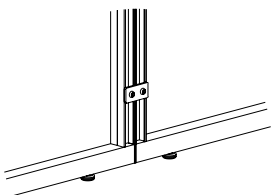


Frame Splitter

Divide a 72" wide workstation into two (2) 36" wide sections for greater workspace flexibility and operator comfort.

72"W x 38"H

8190 • requires 72"W frame



Frame Interconnect

Connect two (2) Stand-Alone Stations quickly with this metal plate when new configurations and facility changes are implemented.

8988 • 1 pair

NEW

NEW

The Fine Print

Payment Terms

NET 30.

Prices

Prevailing at the time of shipment unless otherwise noted.

Colors

Unless otherwise noted, stock frame color is Blue. Other colors available are Grey, White, Almond and Black. Stock color for standard laminate worksurfaces is White. Stock color for ESD laminate is Grey. Other laminate colors available upon request at no additional charge are Grey and Beige standard laminate; Beige and White ESD laminate. Custom laminate colors are available at an additional charge. Optional color schemes are available and must be specified at the time of order.

Minimum Order

\$100

Special Orders/Custom Options

All items listed in this price list are standard. Any variation to these standard items, including frame or laminate color, must be special ordered. Please consult with us about your requirements. Returns of special order/custom products are not accepted.

Orders and Cancellations

All orders must be placed through a Production Basics authorized distributor. Verbal purchase orders are not accepted. Products ship knocked-down (KD) by truck. FOB Billerica, MA. Changes and cancellations may not be accepted after an order is placed with Production Basics. For assistance with your workstation choices prior to placing an order, call Production Basics or your authorized distributor.

Product Improvements

Production Basics reserves the right to change the details of design, material and finish in any way that will not reduce function or performance.

Discontinued Products

Product specifications featured in this Product Specifier are available at the time of printing. Production Basics reserves the right to discontinue products at any time for any reason.

Returns

NO MERCHANDISE WILL BE ACCEPTED FOR RETURN WITHOUT PRODUCTION BASICS' PRIOR APPROVAL. Return Merchandise Authorizations (RMA) must be requested by the customer within ten (10) days of receipt of merchandise. Returned goods must be sent freight prepaid within 30 days of the issuance of an RMA. Returns will be subject to a 25% restocking charge. RMAs are NOT issued for custom products.

Shortages and Damages

Upon receipt of product, check against bill of lading for correct number of pieces and inspect for obvious damage before signing delivery receipt. Shortages, errors and damage must be reported to Production Basics within 24 hours of receipt of merchandise. Any damage claims must be filed with carriers immediately upon receipt. Do not destroy packaging materials; they must be available for inspection by the carrier. Production Basics will cooperate with the purchaser on filed claims.

Warranty

This warranty covers any defect in material or workmanship in mechanical or structural parts given normal use and care. With the exceptions noted, this warranty lasts ten (10) years from the original date of purchase for all parts and components manufactured by Production Basics. Production Basics, Inc. will replace or repair the item without any cost for parts within the time frame noted from the original date of purchase: LED Bulbs- Warranty not covered by Production Basics. Contact bulb manufacturer within five (5) days of defect identification.

Easy Lift Series- One (1) year.

All other Products- Ten (10) years.

What is Not Covered

This warranty does not cover damage by misuse, accident, unauthorized repair or modification. Also, consequential and incidental damages (including but not limited to: lost profits, lost sales and injury to property) are not recoverable under this warranty. Some states do not allow the exclusion or limitation of incidental or consequential damages, so the above limitation or exclusion may not apply to you. This warranty is the exclusive express warranty and any representations or promises inconsistent with, or in addition to, this warranty are unauthorized and shall not be binding on Production Basics, Inc. Finally, THE IMPLIED WARRANTIES OF MERCHANTABILITY AND FITNESS FOR A PARTICULAR PURPOSE ARE LIMITED IN DURATION FOR A PERIOD OF TEN YEARS FROM THE DATE OF PURCHASE BY THE ORIGINAL CONSUMER. Some states do not allow limitations on how long an implied warranty lasts so the above limitation or exclusion may not apply to you.

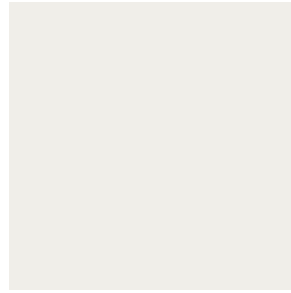
Service

To obtain repair or replacement under this warranty, you must contact Production Basics, Inc., informing us of the defect.

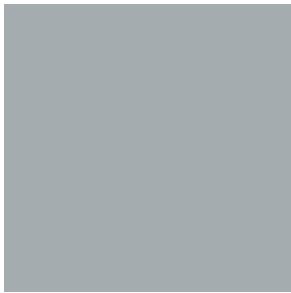
FRAME COLORS:



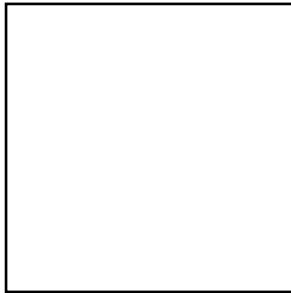
Blue*



Almond



Grey

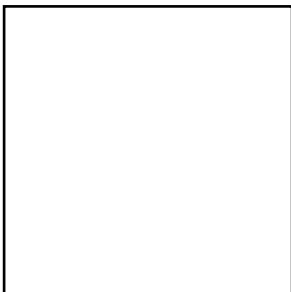


White

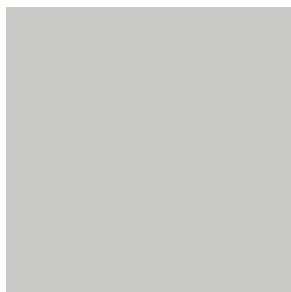


Black

LAMINATE COLORS:



White*

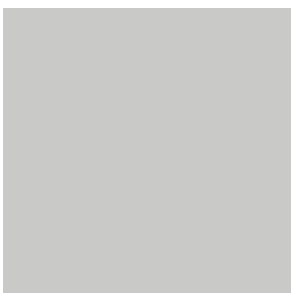


Grey



Beige

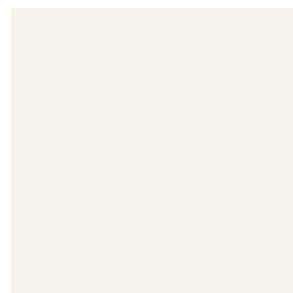
ESD LAMINATE COLORS:



Grey*



Beige



White

* Stock colors. Colors shown here may vary slightly from actual product. For specific color matches, samples are available. Call Production Basics at 800.318.2770.