



Production **BASICS**

PRODUCT SPECIFIER

Ergonomic Workstations & Accessories



Production **BASICS**

WORKSTATIONS THAT INSPIRE PRODUCTIVITY.

We'll help you find the right ergonomic workstations for your company. You'll receive innovative solutions that fit your exact specifications for performance, productivity and aesthetics. You'll also get the easiest to assemble, longest lasting, American-made workstations on the market. Then, you can get back to business.



Quad Station



PedSys Work Bench, Left-Side Storage



C-Leg Stations with Add-on Corner

Since 1995, **PRODUCTION BASICS** has manufactured **ERGONOMIC WORKSTATIONS** and accessories that **INSPIRE PRODUCTIVITY**. We offer a variety of products that are designed to bring **EFFICIENCY, PRODUCTIVITY & PROFESSIONALISM** to your manufacturing, material handling or laboratory environment.



RTW Table with Riser Shelf



**PedSys Work Bench,
Left and Right Side Storage**



Electric Station, Dual Leg



Side-by-Side C-Leg Station



Supply Cart

Workstations are not just **TABLES**, they are **TOOLS FOR PRODUCTIVITY**. An **ORGANIZED**, ergonomic **WORKSPACE** for your operators means a happier, **MORE FOCUSED** employee. It means **GREATER JOB SATISFACTION** and fewer workers' compensation claims in a **GREAT LOOKING FACILITY** that operates at **PEAK EFFICIENCY**.



C-Leg Series Workstation



PedSys Work Bench, Left Side Storage



RTW Table with Casters



PedSys Work Bench, Right Side Storage

Production Basics workstations **START WITH SMART DESIGNS**. We combine **CLEAN LINES** and **SOLID COMPONENTS** to form sturdy, simple workstations that are **BUILT TO LAST**. Using the Basic Bolt, Basic Nut and an allen wrench, you can **BUILD YOUR WORKSTATION** in minutes. You are able to **ADJUST** your workstation **PRECISELY**, a major benefit over common slotted units.

It's time to **DELIVER** some **INSPIRATION** to you. We invite you inside our Product Specifier, where you will **FIND THE WORKSTATIONS** that are **RIGHT FOR YOU**.



PedSys Work Bench, Right Side Storage

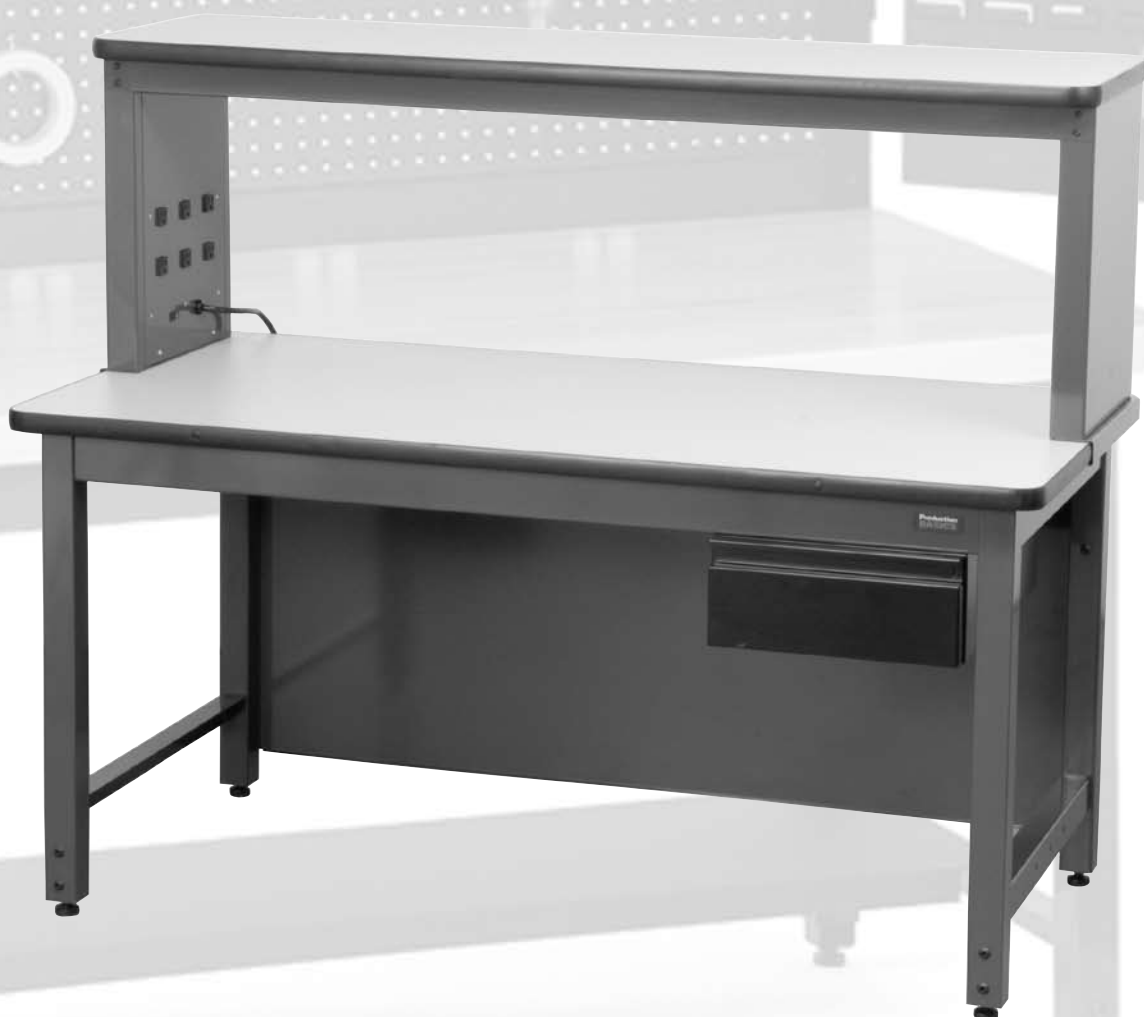
RTW Table

The RTW Table is a versatile, basic workstation. The height adjustability range of the table provides comfort for almost any employee and proves functional for a variety of tasks in manufacturing, material handling and laboratory environments. The four-post design provides superior stability and simplicity allowing you to focus on productivity.

Select sizes of the RTW Tables are available through our **ZIP**ship program. With **ZIP**ship, we process and ship your RTW Tables within four days of receiving your order for Item Numbers 3005, 3010, 3105 and 3110. Blue frame, White standard or Grey ESD laminate only. Maximum quantities apply.

Install a Riser Shelf to support instruments and equipment above the worksurface. This is a simple way to provide additional workspace and storage. The Riser Shelf is available with ESD laminate and can be integrated with power panels.

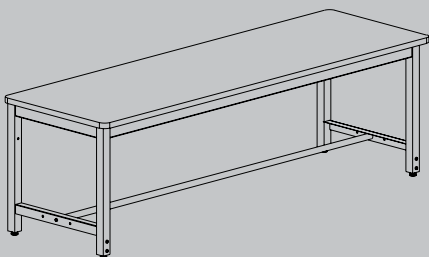
You may also choose Uprights to support accessories. Uprights are easily secured to the back of the RTW table and constructed of unistrut, similar to our signature C-Leg Series frames. Attach accessories with a Basic Nut and Bolt, then micro-adjust your accessories to the most comfortable position.



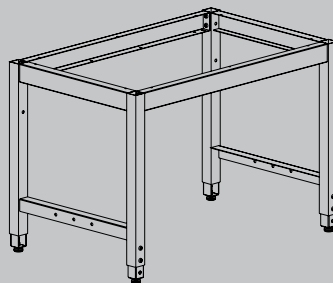
General Information - RTW Table

- Stock color on all RTW Tables is Blue with White standard laminate or Grey ESD laminate.
- Other frame colors available upon request at no additional charge are Almond, White, Grey, and Black. See inside back cover.
- Other laminate colors available upon request at no additional charge are White, Beige and Grey.
- RTW Table base systems include all necessary parts, hardware and instructions needed to assemble and finish the workstation.
- Unless noted, worksurface depth (D) is always specified first in dimension notation. Station width (W) is specified second.
- Standard height adjustability range is 30-36" in 2" increments. RTW Leg Adjusters with height adjustability of 30-42" are also available. See the product detail in this section.
- All metal workstation components are constructed of 14 gauge steel.
- Workstation kits noted as "ESD" include ESD laminate and ground bolt.
- Laminate worksurfaces are constructed of 1.25" thick industrial grade particle board. ESD laminate measures within the static dissipative range of 10^6 to 10^9 ohms to ground.
- Choose accessories for your RTW Table on pages 55-76.
- Workstations accommodate up to 24" of vertical drawer space. Under-surface accessories and casters may reduce this range.
- RTW Tables are shipped KD (knocked down) and assembly is required unless otherwise ordered by customer.
- Riser Shelf accessory compatible only with Power Panel, Under-Shelf Light and below-worksurface accessories.
- RTW Table weight capacity is 750 pounds, evenly distributed, unless noted.
- Custom frame colors are available at an additional charge.
- Custom laminate colors are available at an additional charge.
- For options not specified in this section, review the Custom Options section of this Product Specifier (pages 77-83) or call Production Basics.

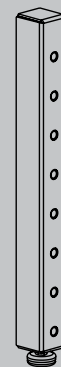
NEW



RTW Table- 96"W, pg. 28



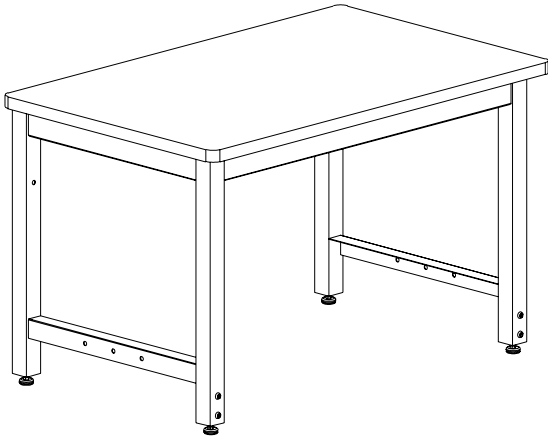
RTW Frame Only , pg. 29



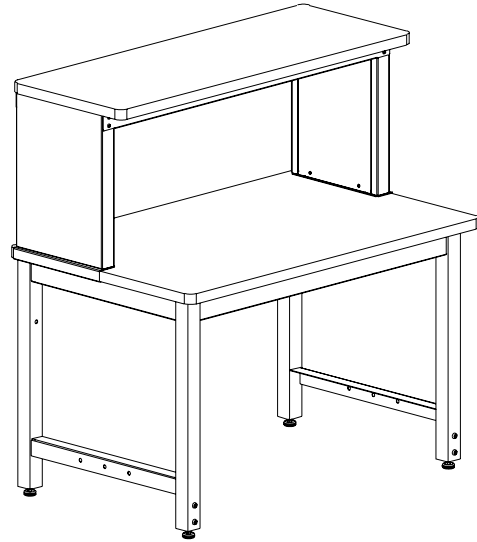
Leg Adjuster- up to 42" high,
pg. 29

Typical Configurations - RTW Table

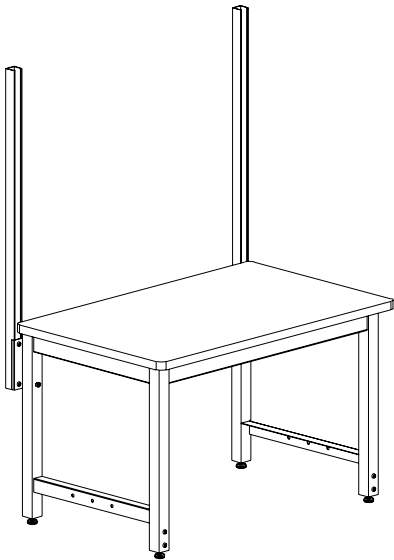
We have included a sampling of popular configurations to help you choose the ideal RTW workstation. For assistance choosing your workstations, call Production Basics at 800.318.2770.



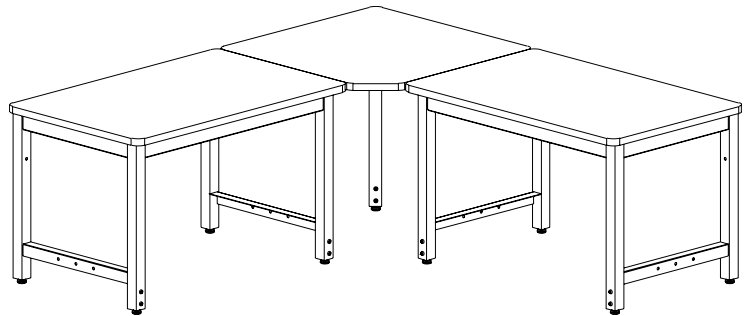
Stand-Alone



RTW with Riser Shelf



RTW Table with Uprights

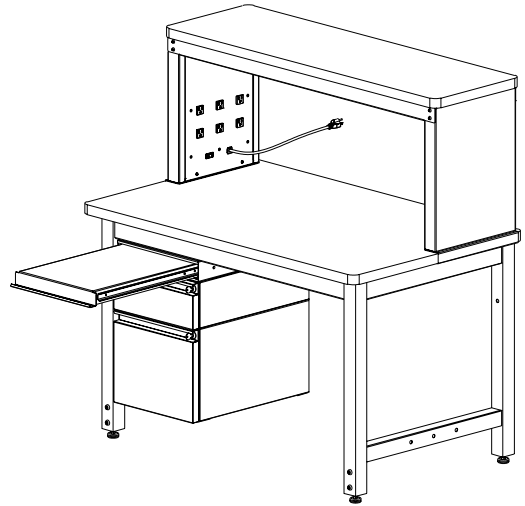


RTW Table Corner Configuration

RTW TABLE> APPLICATION SPECIFIC RECOMMENDATIONS

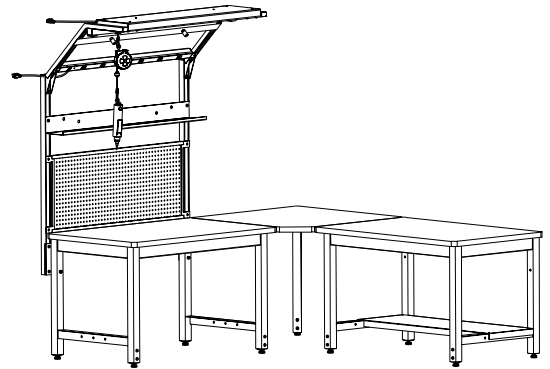
Electronics Manufacturing

<u>Product Description</u>	<u>Item Number</u>
RTW Table, ESD, 30"D x 48"W	3100
Riser Shelf, ESD, 18"D x 48"W	8471
Riser Shelf Power Panel, 15 and 20 amp	8328
Writing Shelf/3" Drawer with Mounting Kit	8601
6" Drawer with Mounting Kit	8606
12" Drawer with Mounting Kit	8611



Assembly & Manufacturing

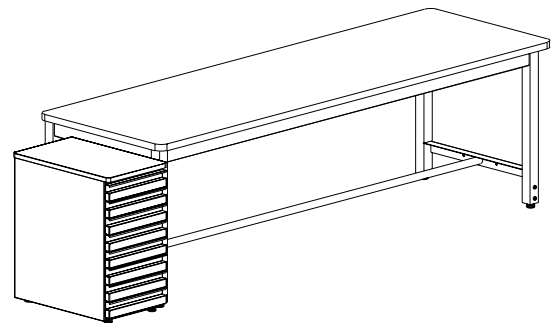
<u>Product Description</u>	<u>Item Number</u>
RTW Table, 30"D x 48"W (2)	3000
Uprights with Mounting Plates	8535
Overhead Light	8500
Tool Trolley System	8340
Tool Balancer	8357
Air Rail	8330
Power Rail, 15 amp	8320
Peg Board	8722
Tool Shelf & Bin Rail	8492
RTW Under-Surface Shelf	8476
Add-on Corner Station	3418



Tool shown not included

Assembly & Manufacturing

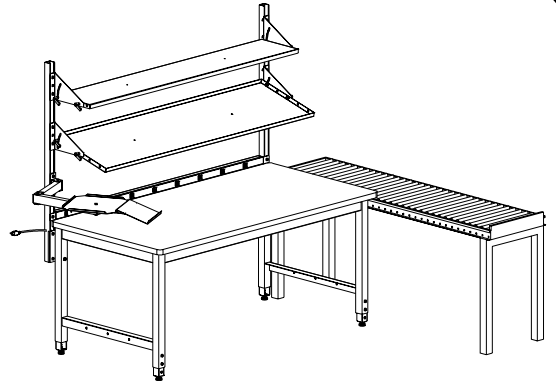
<u>Product Description</u>	<u>Item Number</u>
RTW Table, 30"D x 96"W	3018
Free Standing Drawer Units, 8-3" drawers	8571



RTW TABLE > APPLICATION SPECIFIC RECOMMENDATIONS

Material Handling

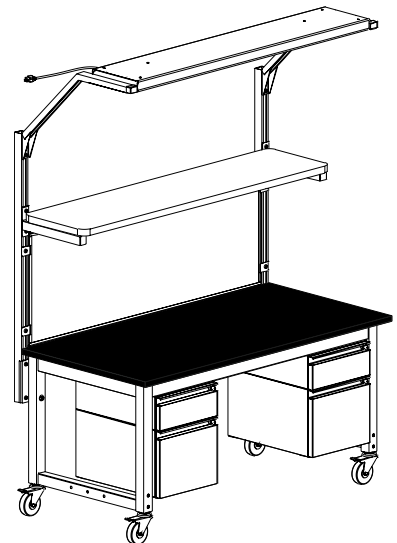
<u>Product Description</u>	<u>Item Number</u>
RTW Table, 36"D x 72"W	3011
Uprights with Mounting Plates	8535
Universal Shelf, 12"D x 72"W	8416
Universal Shelf, 18"D x 72"W	8396
Power Rail, 15 amp	8326
Tray Arm	8631
Tray Arm, Add-on Keyboard Support	8628



Conveyor not included

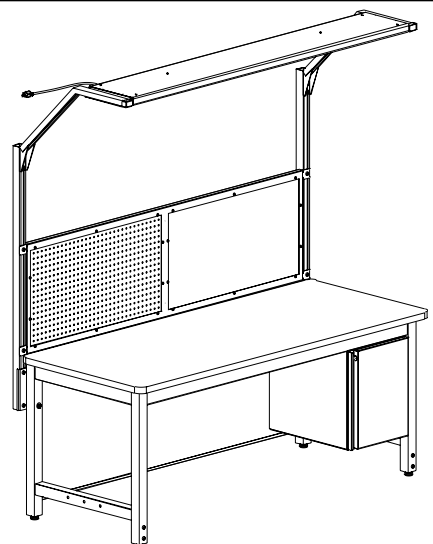
Laboratory

<u>Product Description</u>	<u>Item Number</u>
RTW Table, Frame Only, 30"D x 60"W	3055
RTW Table Caster Option	8971
Phenolic Resin Worksurface, 30"D x 60"W	8002
Uprights with Mounting Plates	8535
Overhead Light, LED	8516
Laminate Shelf, 15"D x 60"W	8423
6" Drawer with Mounting Kit (2)	8606
12" Drawer with Mounting Kit (2)	8611
Tack Board	8733-G



Laboratory

<u>Product Description</u>	<u>Item Number</u>
RTW Table, 30"D x 72"W	3010
Uprights with Mounting Plates	8535
Overhead Light, LED	8518
Peg Board/Magnetic Dry Erase Board Multi-Panel, 72"W x 20"H	8789
Modesty Panel	8753
Suspended Cabinet with Mounting Kit	8616



Product Details

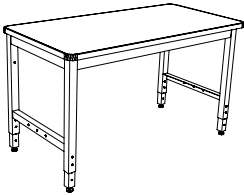
Description

Dimensions

Item Number

Notes

NEW
SIZE



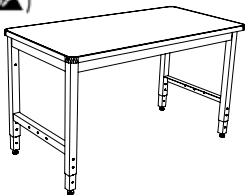
RTW Table

A versatile basic workbench with height adjustability and exceptional stability.

24"D x 36"W	3023	
24"D x 48"W	3020	
24"D x 60"W	3025	
24"D x 72"W	3028	
24"D x 96"W	3013	• 72"W frame
24"D x 96"W	3017	• 96"W frame, includes Tube Footrest
30"D x 36"W	3001	
30"D x 48"W	3000	
30"D x 60"W	3005	
30"D x 72"W	3010	
30"D x 96"W	3014	• 72"W frame
30"D x 96"W	3018	• 96"W frame, includes Tube Footrest
36"D x 36"W	3003	
36"D x 48"W	3002	
36"D x 60"W	3007	
36"D x 72"W	3011	
36"D x 96"W	3015	• 72"W frame
36"D x 96"W	3019	• 96"W frame, includes Tube Footrest



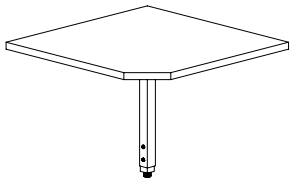
NEW
SIZE



RTW Table, ESD

A versatile basic workbench with height adjustability, exceptional stability and an ESD laminate worksurface. Includes standard ground bolt and wire.

24"D x 36"W	3123	
24"D x 48"W	3120	
24"D x 60"W	3125	
24"D x 72"W	3128	
24"D x 96"W	3113	• 72"W frame
24"D x 96"W	3117	• 96"W frame, includes Tube Footrest
30"D x 36"W	3109	
30"D x 48"W	3100	
30"D x 60"W	3105	
30"D x 72"W	3110	
30"D x 96"W	3114	• 72"W frame
30"D x 96"W	3118	• 96"W frame, includes Tube Footrest
36"D x 36"W	3103	
36"D x 48"W	3102	
36"D x 60"W	3107	
36"D x 72"W	3111	
36"D x 96"W	3115	• 72"W frame
36"D x 96"W	3119	• 96"W frame, includes Tube Footrest



RTW Add-On Corner

A simple solution to create corner or wrap-around configurations with RTW Tables. Includes support leg, worksurface and hardware. Requires two (2) RTW Tables.

24"D x 36"W	3417	• compatible with 24"D RTW Tables
30"D x 36"W	3418	• compatible with 30"D RTW Tables
36"D x 48"W	3419	• compatible with 36"D RTW Table

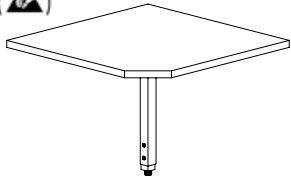
Product Details

Description

Dimensions

Item Number

Notes



RTW Add-On Corner, ESD

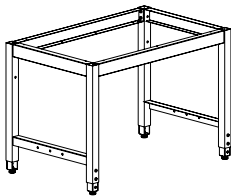
A simple solution to create corner or wrap-around configurations with ESD RTW Tables. Includes support leg, ESD worksurface, hardware and standard ground bolt and wire. Requires two (2) RTW Tables.

24"D x 36"W
30"D x 36"W
36"D x 48"W

3517
3518
3519

• compatible with 24"D RTW Tables
• compatible with 30"D RTW Tables
• compatible with 36"D RTW Tables

NEW



RTW Table, Frame Only

Order the durable RTW Table frame and add your own worksurface. Dimensions refer to minimum recommended worksurface size.

24"D x 36"W
24"D x 48"W
24"D x 60"W
24"D x 72"W
24"D x 96"W
30"D x 36"W
30"D x 48"W
30"D x 60"W
30"D x 72"W
30"D x 96"W
36"D x 36"W
36"D x 48"W
36"D x 60"W
36"D x 72"W
36"D x 96"W

3033
3051
3054
3064
3084
3063
3050
3055
3060
3085
3030
3052
3057
3061
3087

• includes Tube Footrest

• includes Tube Footrest

• includes Tube Footrest

NEW



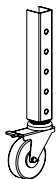
RTW Leg Adjusters

This leg will allow 12" of height adjustment in 2" increments on your RTW Table. Specify at time of order or retrofit an RTW in your facility.

8977

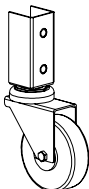
• 30"-42" height adjustment

NEW



RTW Table Caster Option, Height Adjustable

Add mobility to your RTW Table. Specifies a specially designed RTW leg that maintains 30"-36" height adjustment in 2" increments. Ships with four (4) 4" thermoplastic casters with swivel locks.



RTW Table Caster Option

Add mobility to your RTW Table. Includes four (4) 4" thermoplastic casters with swivel locks. This total-lock feature ensures a rigid workstation. Surface height is fixed at 35".

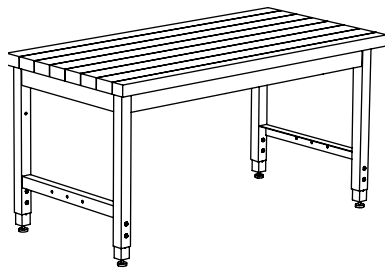
8971

• fixed height at 35"

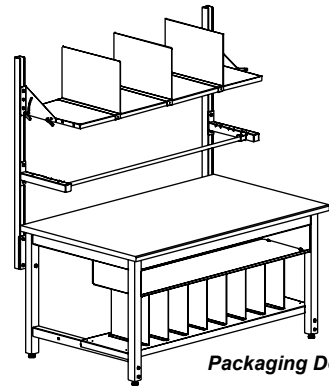
Workstation packages. One part number and price.

[HTTP://SOLUTION.PBASICS.COM](http://solution.pbasics.com)

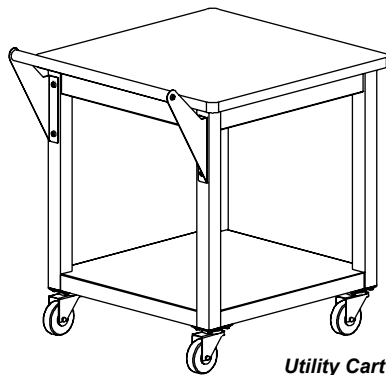
- Productive **WORKSTATIONS** and **ACCESSORIES** are grouped together.
- Save time by using **ONE ITEM NUMBER** based on your needs.
- View the entire **SOLUTION SERIES** and request a **QUOTE** on-line.



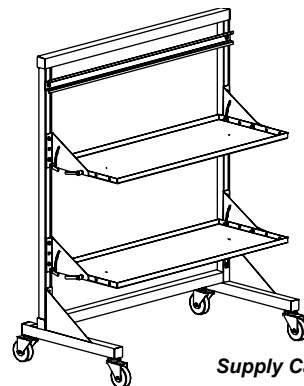
Assembly Station



Packaging Depot



Utility Cart



Supply Cart, Single-Sided

The Fine Print

Payment Terms

NET 30.

Prices

Prevailing at the time of shipment unless otherwise noted.

Colors

Unless otherwise noted, stock frame color is Blue. Other colors available are Grey, White, Almond and Black. Stock color for standard laminate worksurfaces is White. Stock color for ESD laminate is Grey. Other laminate colors available upon request at no additional charge are Grey and Beige standard laminate; Beige and White ESD laminate. Custom laminate colors are available at an additional charge. Optional color schemes are available and must be specified at the time of order.

Minimum Order

\$100

Special Orders/Custom Options

All items listed in this price list are standard. Any variation to these standard items, including frame or laminate color, must be special ordered. Please consult with us about your requirements. Returns of special order/custom products are not accepted.

Orders and Cancellations

All orders must be placed through a Production Basics authorized distributor. Verbal purchase orders are not accepted. Products ship knocked-down (KD) by truck. FOB Billerica, MA. Changes and cancellations may not be accepted after an order is placed with Production Basics. For assistance with your workstation choices prior to placing an order, call Production Basics or your authorized distributor.

Product Improvements

Production Basics reserves the right to change the details of design, material and finish in any way that will not reduce function or performance.

Discontinued Products

Product specifications featured in this Product Specifier are available at the time of printing. Production Basics reserves the right to discontinue products at any time for any reason.

Returns

NO MERCHANDISE WILL BE ACCEPTED FOR RETURN WITHOUT PRODUCTION BASICS' PRIOR APPROVAL. Return Merchandise Authorizations (RMA) must be requested by the customer within ten (10) days of receipt of merchandise. Returned goods must be sent freight prepaid within 30 days of the issuance of an RMA. Returns will be subject to a 25% restocking charge. RMAs are NOT issued for custom products.

Shortages and Damages

Upon receipt of product, check against bill of lading for correct number of pieces and inspect for obvious damage before signing delivery receipt. Shortages, errors and damage must be reported to Production Basics within 24 hours of receipt of merchandise. Any damage claims must be filed with carriers immediately upon receipt. Do not destroy packaging materials; they must be available for inspection by the carrier. Production Basics will cooperate with the purchaser on filed claims.

Warranty

This warranty covers any defect in material or workmanship in mechanical or structural parts given normal use and care. With the exceptions noted, this warranty lasts ten (10) years from the original date of purchase for all parts and components manufactured by Production Basics. Production Basics, Inc. will replace or repair the item without any cost for parts within the time frame noted from the original date of purchase: LED Bulbs- Warranty not covered by Production Basics. Contact bulb manufacturer within five (5) days of defect identification.

Easy Lift Series- One (1) year.

All other Products- Ten (10) years.

What is Not Covered

This warranty does not cover damage by misuse, accident, unauthorized repair or modification. Also, consequential and incidental damages (including but not limited to: lost profits, lost sales and injury to property) are not recoverable under this warranty. Some states do not allow the exclusion or limitation of incidental or consequential damages, so the above limitation or exclusion may not apply to you. This warranty is the exclusive express warranty and any representations or promises inconsistent with, or in addition to, this warranty are unauthorized and shall not be binding on Production Basics, Inc. Finally, THE IMPLIED WARRANTIES OF MERCHANTABILITY AND FITNESS FOR A PARTICULAR PURPOSE ARE LIMITED IN DURATION FOR A PERIOD OF TEN YEARS FROM THE DATE OF PURCHASE BY THE ORIGINAL CONSUMER. Some states do not allow limitations on how long an implied warranty lasts so the above limitation or exclusion may not apply to you.

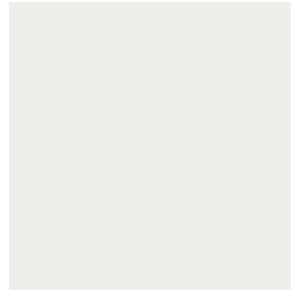
Service

To obtain repair or replacement under this warranty, you must contact Production Basics, Inc., informing us of the defect.

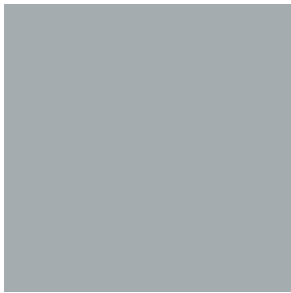
FRAME COLORS:



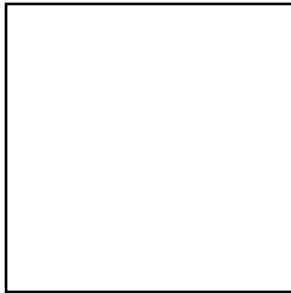
Blue*



Almond



Grey

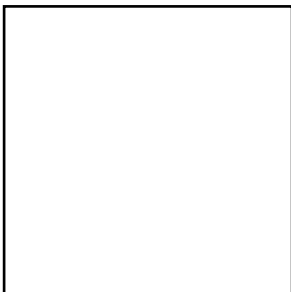


White

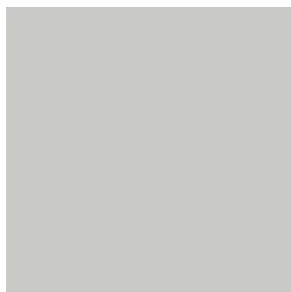


Black

LAMINATE COLORS:



White*

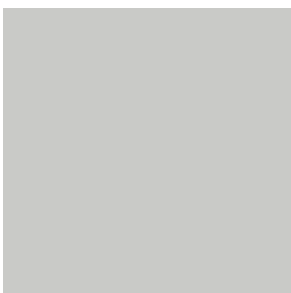


Grey



Beige

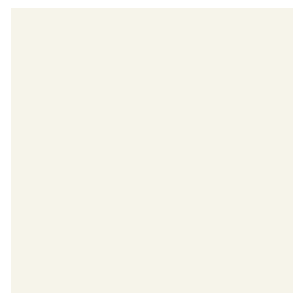
ESD LAMINATE COLORS:



Grey*



Beige



White

* Stock colors. Colors shown here may vary slightly from actual product. For specific color matches, samples are available. Call Production Basics at 800.318.2770.