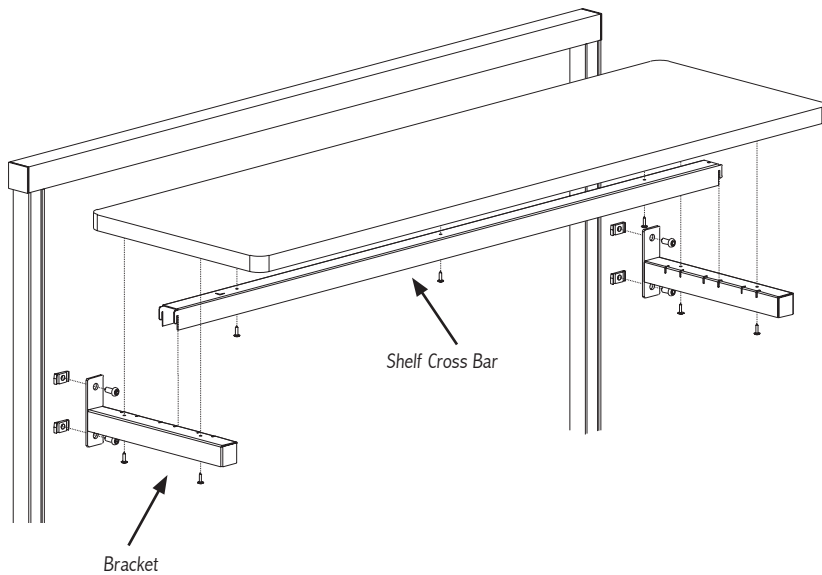


## SHELVING: LAMINATE SHELF

Item Numbers 8417-8439, 8449-8461



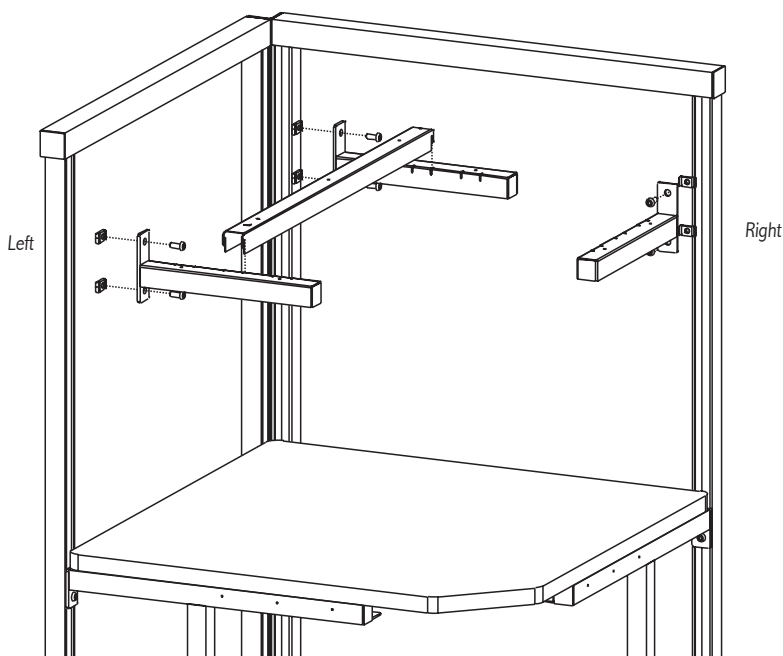
## ACCESSORIES

PARTS AND HARDWARE	QUANTITY
Laminate Shelf	1
Brackets	2
Cross Bar	1
Basic Bolts	4
Basic Nuts	4
Wood Screws	8
Allen Wrench	1
<b>Other Items Needed (not included)</b>	
Phillips head screwdriver or drill	
Tape Measure	
Level	

1. Insert Basic Bolt into holes on bracket. Secure with a Basic Nut turning one revolution.
2. Insert Nuts into Frame or Upright and tighten bolts. Notches on brackets face inward. Repeat for other bracket. Measure or use a level to ensure brackets are at the same height.
3. Insert the shelf cross bar into frontmost position (recommended).
4. Place shelf on top of bracket installation and secure with wood screws underneath the shelf.

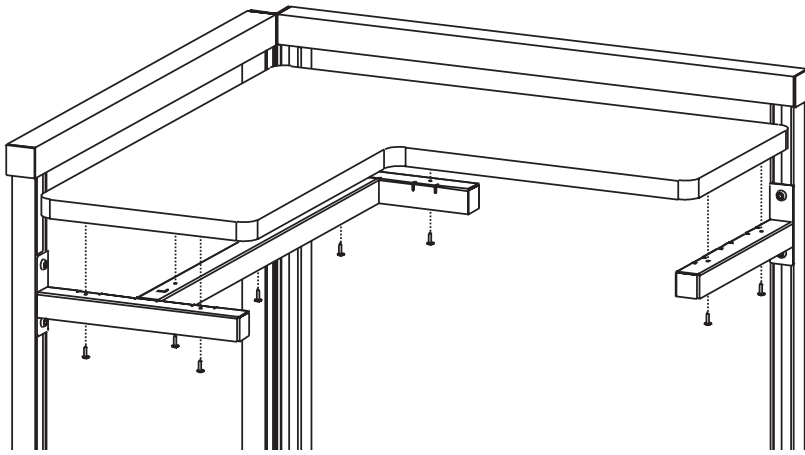
## SHELVING: LAMINATE CORNER

Item Numbers 8485, 8486, 8488, 8489



PARTS AND HARDWARE	QUANTITY
Laminate Shelf	1
Brackets	3
Shelf Cross Bar	1
Basic Bolts	6
Basic Nuts	6
Wood Screws	10
Allen Wrench	1
<b>Other Items Needed (not included)</b>	
Phillips head screwdriver or drill	
Tape Measure	
Level	

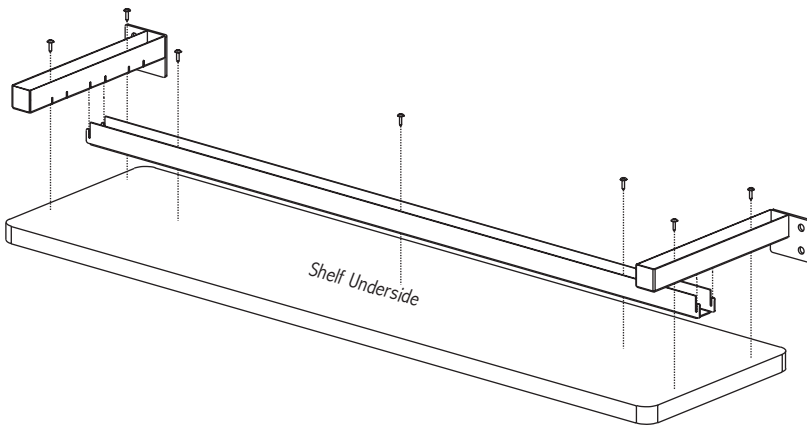
1. Insert Basic Bolts into holes on all three brackets. Secure with a Basic Nut turning one revolution.
2. On the left side of the Corner Station, install bracket on Frame or Upright and tighten bolts. Notches on bracket face inward. Repeat for other bracket. Measure or use a level to ensure brackets are at the same height.



3. Insert the shelf cross bar into frontmost position on the brackets (recommended).
4. On the right side of the Corner Station, install the third bracket. Measure or use a level to ensure all three brackets are at the same height.
5. Place shelf on top of bracket installation and secure with wood screws through the brackets and into the shelf.

## SHELVING: LAMINATE UNDER-SURFACE

Item Numbers 8440-8448



PARTS AND HARDWARE	QUANTITY
Laminate Shelf	1
Brackets	2
Shelf Cross Bar	1
Basic Bolts	4
Basic Nuts	4
Wood Screws	8
Allen Wrench	1
<b>Other Items Needed (not included)</b>	
Phillips head screwdriver or drill	
Tape Measure	
Level	

1. Assemble bracket as shown.
2. Invert bracket and place on underside of shelf.
3. Align laminate flush with the bracket flange and sides.
4. Attach shelf with wood screws through the bracket and into the shelf.
5. Insert a Basic Bolt into each hole at back of shelf bracket, top and bottom. Secure with Basic Nut. Turn only one revolution.
6. Turn shelf over and insert nuts into frame underneath the worksurface.

